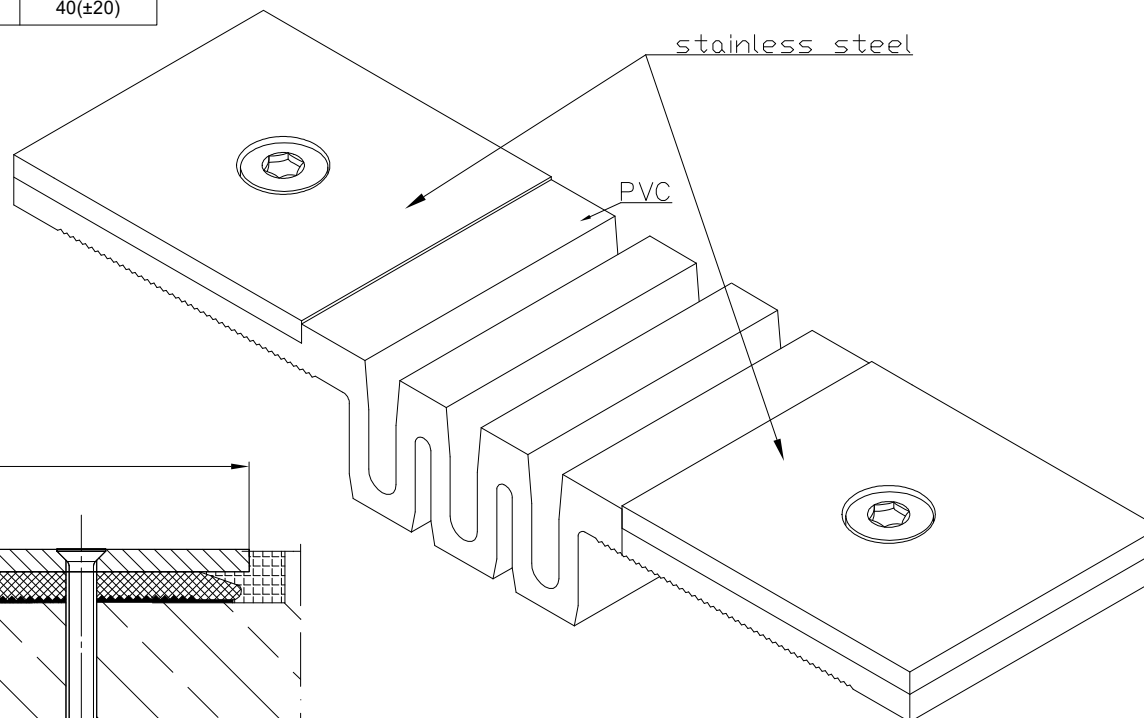


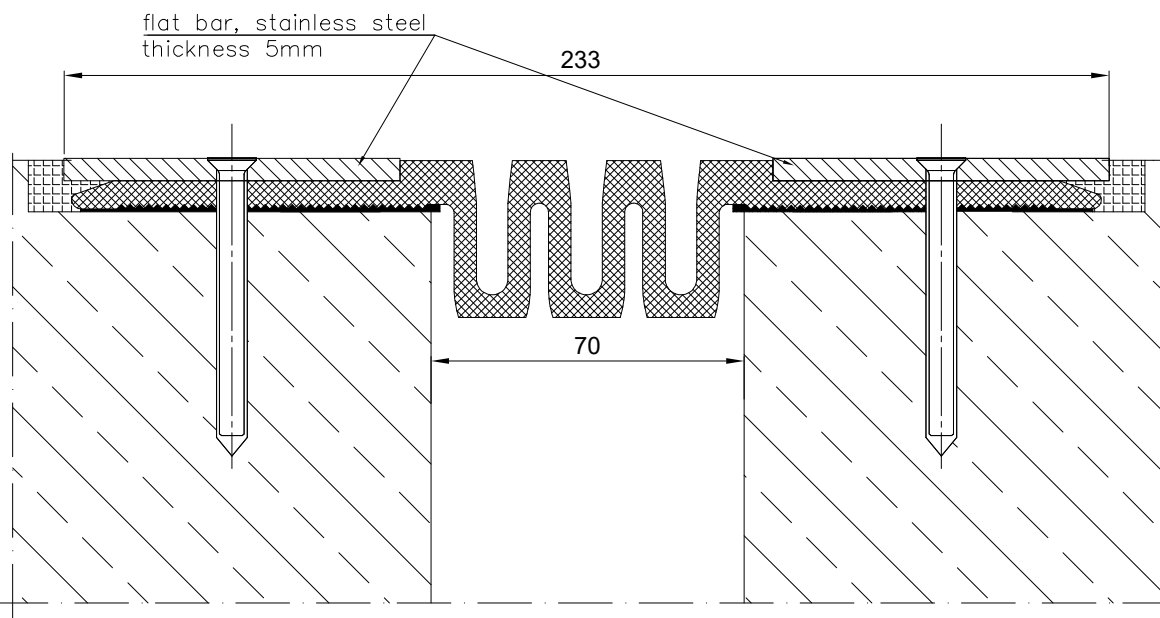
INFORMATION TABLE

Profile type	Visible element [mm]	Joint width [mm]	Method of installation	Installation height [mm]	Material type	Maximum load [KN]	Horizontal/Vertical compensation [mm]
SL 230.70.W	233	70	groove installation	groove 10	stainless steel, PVC	300	90(±45) 40(±20)

CONECTO PARK SL 230.70.W
VIEW



CONECTO PARK SL 230.70.W
SECTION



Expansion joint Conecto Park
SL 230.70.W
L=3000, stainless steel version

Conecto Profiles Sp. z o.o.
ul. Przemysłowa 39
61-541 Poznań
www.conecto-profiles.com



ROZMIAR / SIZE
A3

SKALA / SCALE
1:1

Wszystkie wymiary podano w [mm]
All dimensions in [mm]

PROJEKT	PROJECT	ZŁIŻENIE	SUB ASSEMBLY	RYSUNEK	DRAWING	ARKUSZ SHEET	VER REV
--		--			01	1 Z OF 1	