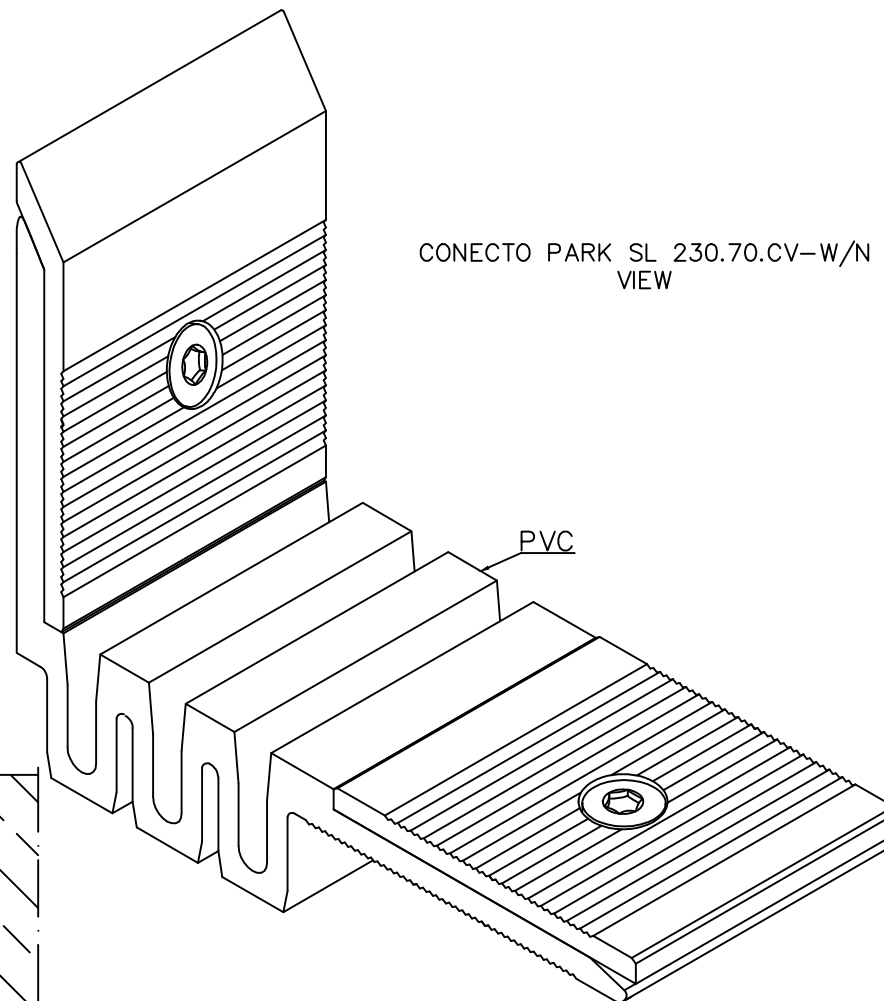
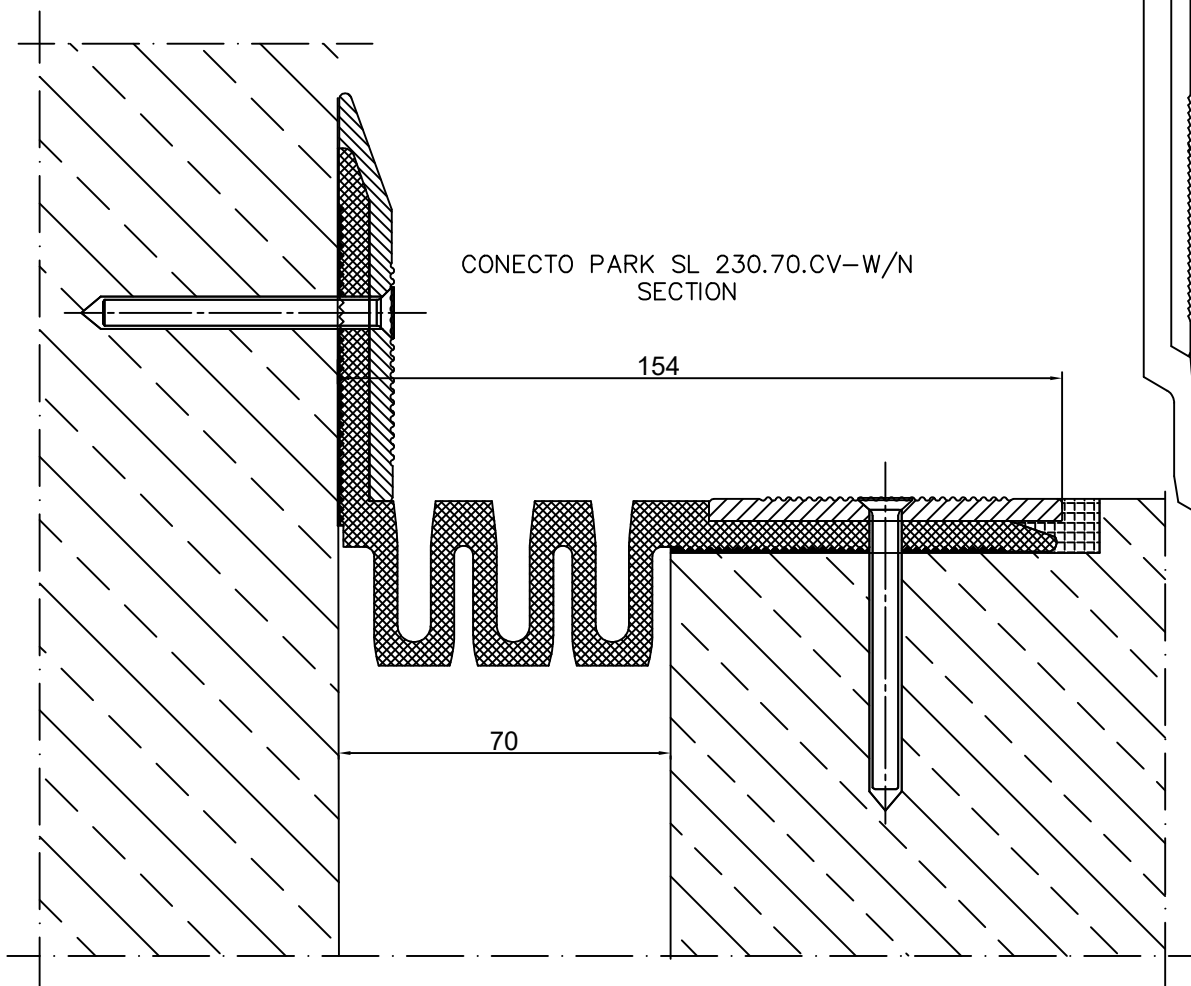


INFORMATION TABLE

Profile type	Visible element [mm]	Joint width [mm]	Method of installation	Installation height [mm]	Material type	Maximum load [KN]	Horizontal/Vertical compensation [mm]
SL 230.70.CV-W/N	154	70	wall-mounted	10	Aluminum, PVC	300	90(±45) 40(±20)



CONECTO PARK SL 230.70.CV-W/N  
VIEW

<p>Conecto Park SL 230.70.CV-W/N</p>			<p>Conecto Profiles Sp. z o.o. ul. Przemysłowa 39 61-541 Poznań www.conecto-profiles.com</p>						
			PROJEKT	PROJECT	ZŁOŻENIE	SUB ASSEMBLY	RYSLINEK	DRAWING	ARKUSZ
ROZMIAR / SIZE	SKALA / SCALE	Wszystkie wymiary podano w [ mm ] All dimensions in [ mm ]					1	Z	1
A3	1:1					01	DF		