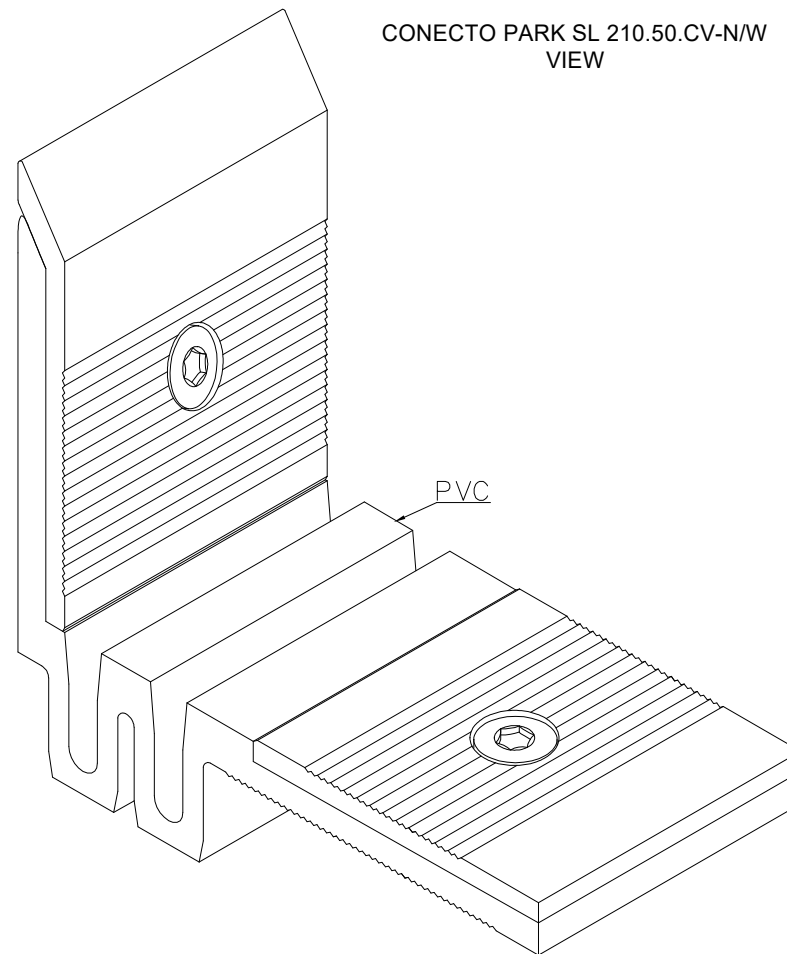
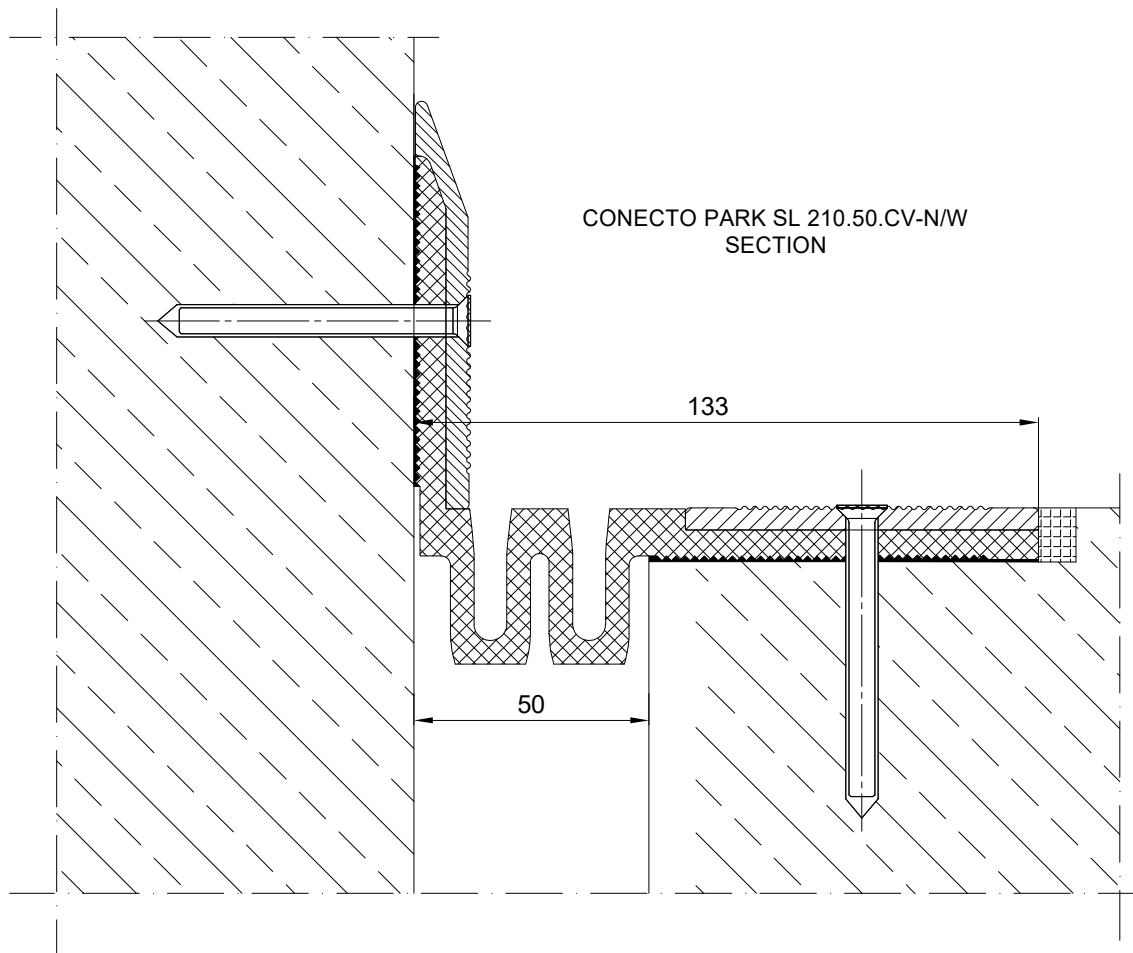



INFORMATION TABLE

Type of profile	Visible element [mm]	Joint width [mm]	Version	Height [mm]	Material	Maximum load [kN]	Movements horizontal / vertical [mm]
SL 210.50.CV-N/W	133	50	wall-mounted	10	Aluminium, PVC	600	60(±30) 40(±20)



Conecto Park SL 210.50.CV-N/W				Conecto Profiles Sp. z o.o. ul. Przemysłowa 39 61-541 Poznań www.conecto-profiles.com					
PROJEKT	PROJECT	ZŁOŻENIE	SUB ASSEMBLY	RYСУNEK	DRAWING	ARKUSZ	WER	SHEET	REV
--	--	--	--	01	01	1	Z	DF	1

ROZMIAR / SIZE: A3
 SKALA / SCALE: 1:1
 Wszystkie wymiary podano w [mm]
 All dimensions in [mm]