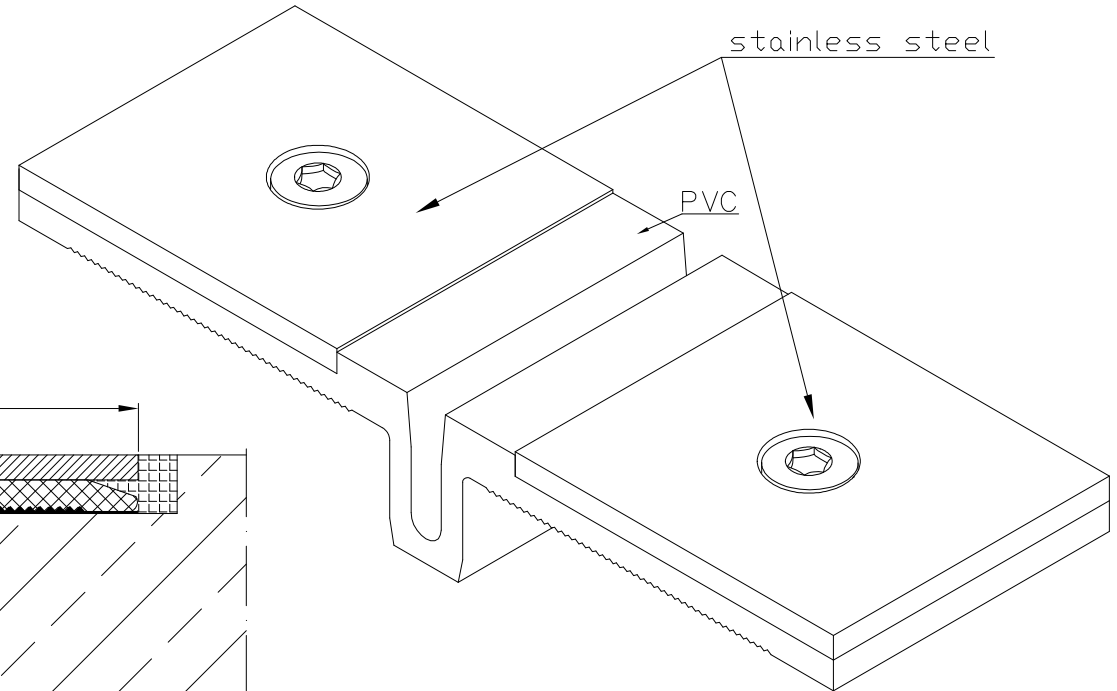


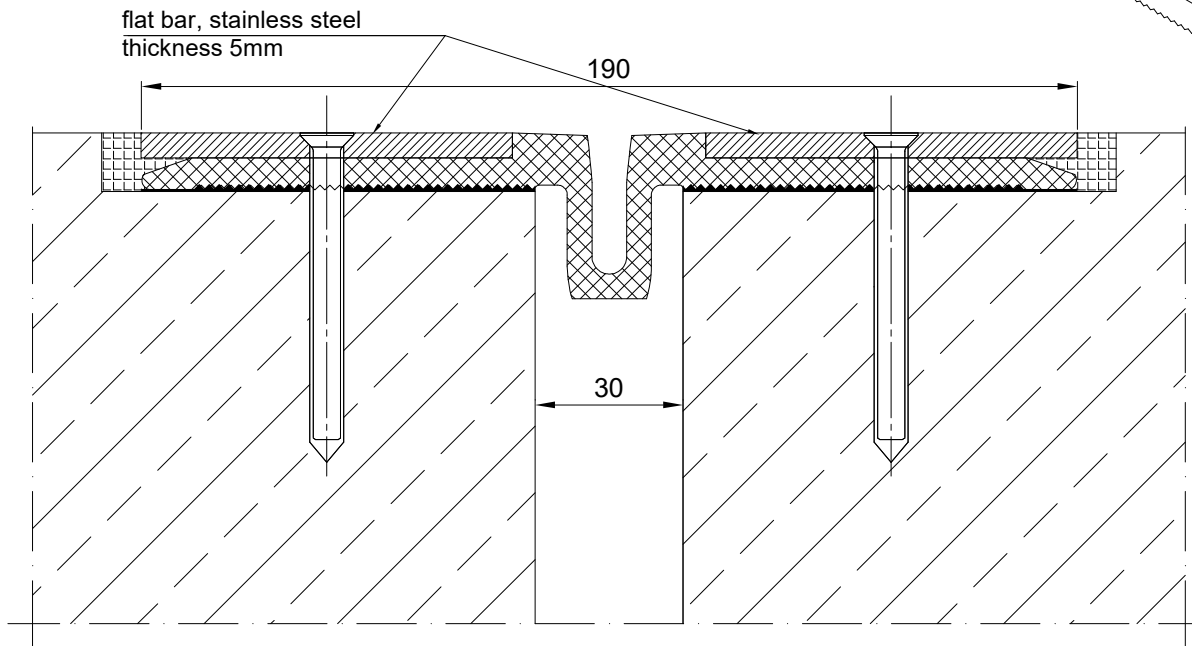
INFORMATION TABLE

Profile type	Visible element [mm]	Joint width [mm]	Method of installation	Installation height [mm]	Material type	Maximum load [KN]	Horizontal/Vertical compensation [mm]
SL190.30.W	190	30	groove installation	groove 10	stainless steel, PVC	600	40(±20) 30(±15)

CONECTO PARK SL 190.30.W  
VIEW



CONECTO SL 190.30.W  
SECTION



Expansion joint Conecto Park  
SL 190.30.W  
L=3000, stainless steel version

Conecto Profiles Sp. z o.o.  
ul. Przemysłowa 39  
61-541 Poznań  
www.conecto-profiles.com



ROZMIAR / SIZE A3	SKALA / SCALE 1:1	Wszystkie wymiary podano w [ mm ] All dimensions in [ mm ]
----------------------	----------------------	---

PROJEKT	PROJECT	ZŁOŻENIE	SUB ASSEMBLY	RYSUNEK	DRAWING	ARKUSZ	SHEET	WER	REV
--		--			01	1	Z DF	1	