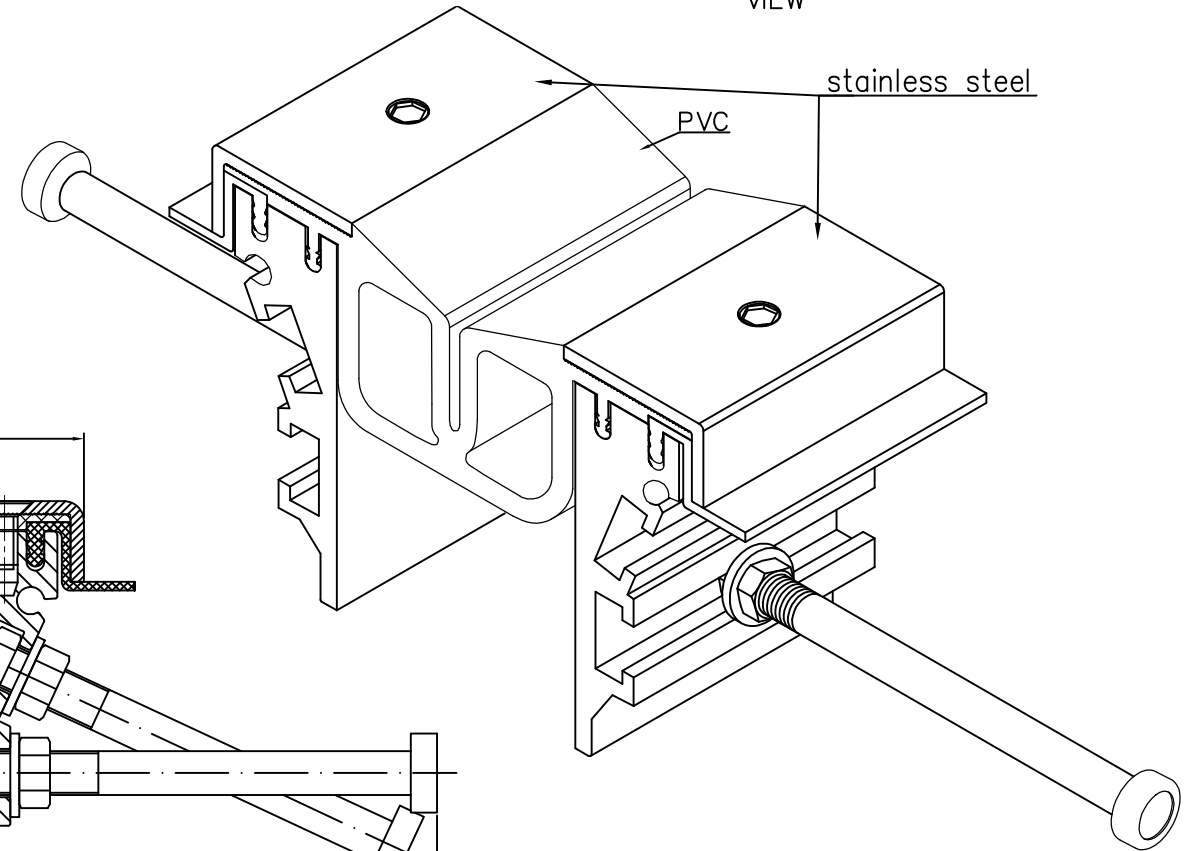


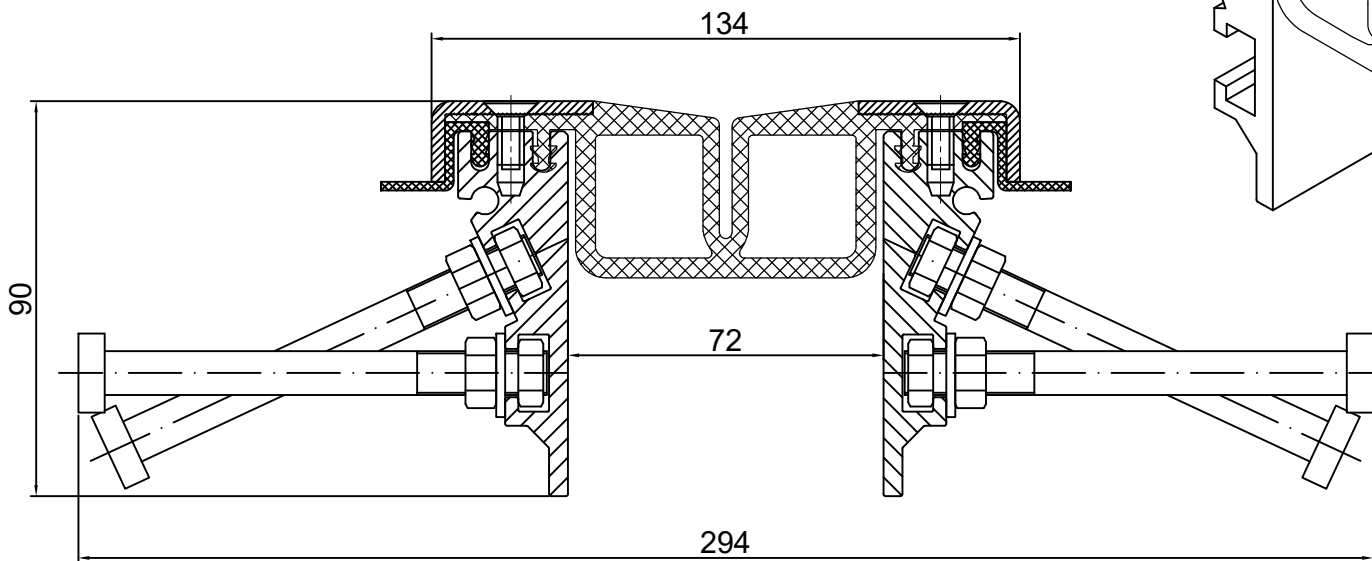
INFORMATION TABLE

Profile type	Visible element [mm]	Joint width [mm]	Base width [mm]	Installation height [mm]	Material type	Maximum load [kN]	Horizontal/Vertical compensation [mm]
GA 88.45.90& S +Galv studs	134	72	294	90	Aluminum, PVC, steel	300	90 (±45)

CONECTO GA 88.45.90& S
VIEW



CONECTO GA 88.45.90& S
SECTION



Expansion joint Conecto Park
GA 88.45.90& S
galvanized studs

Conecto Profiles Sp. z o.o.
ul. Przemysłowa 39
61-541 Poznań
www.conecto-profiles.com



ROZMIAR / SIZE
A3

SKALA / SCALE
1:1

Wszystkie wymiary podano w [mm]
All dimensions in [mm]

PROJEKT PROJECT

ZŁOŻENIE SUB ASSEMBLY

RYSUNEK DRAWING

01

ARKUSZ SHEET

1 Z OF 1

VER REV