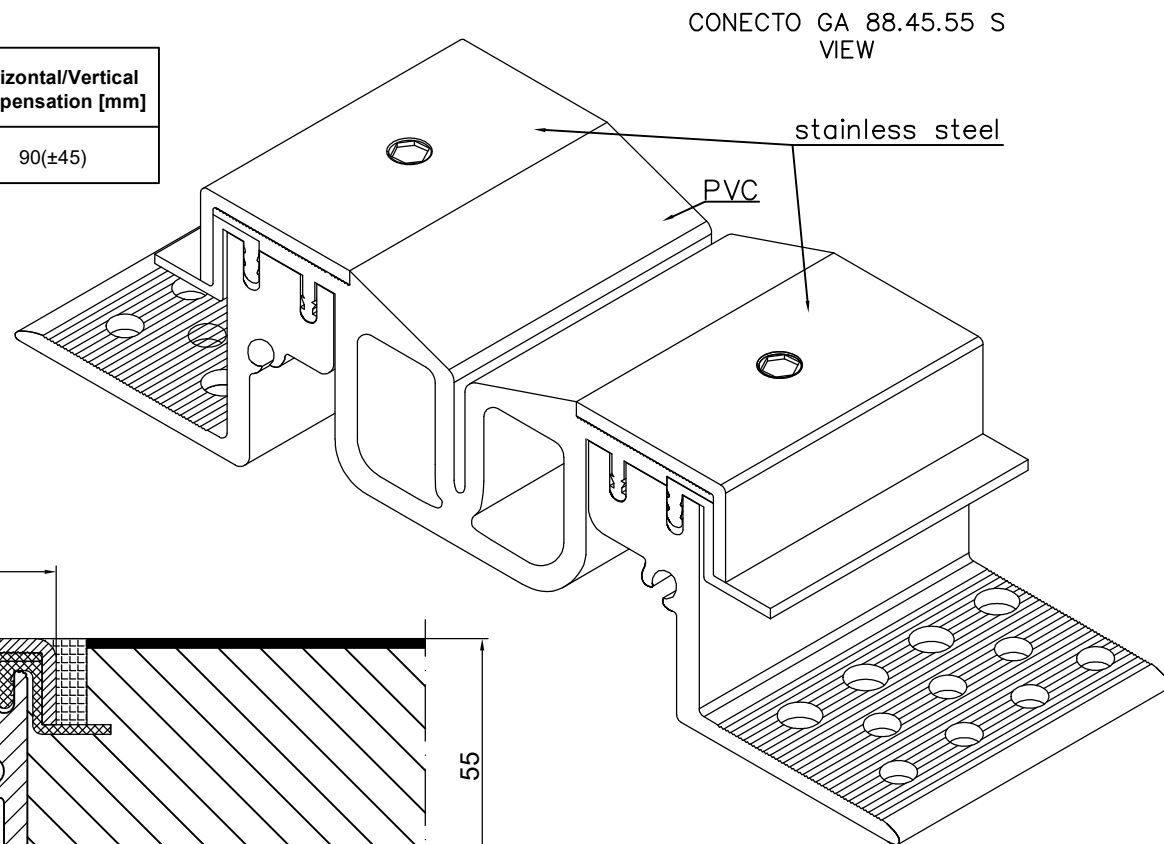
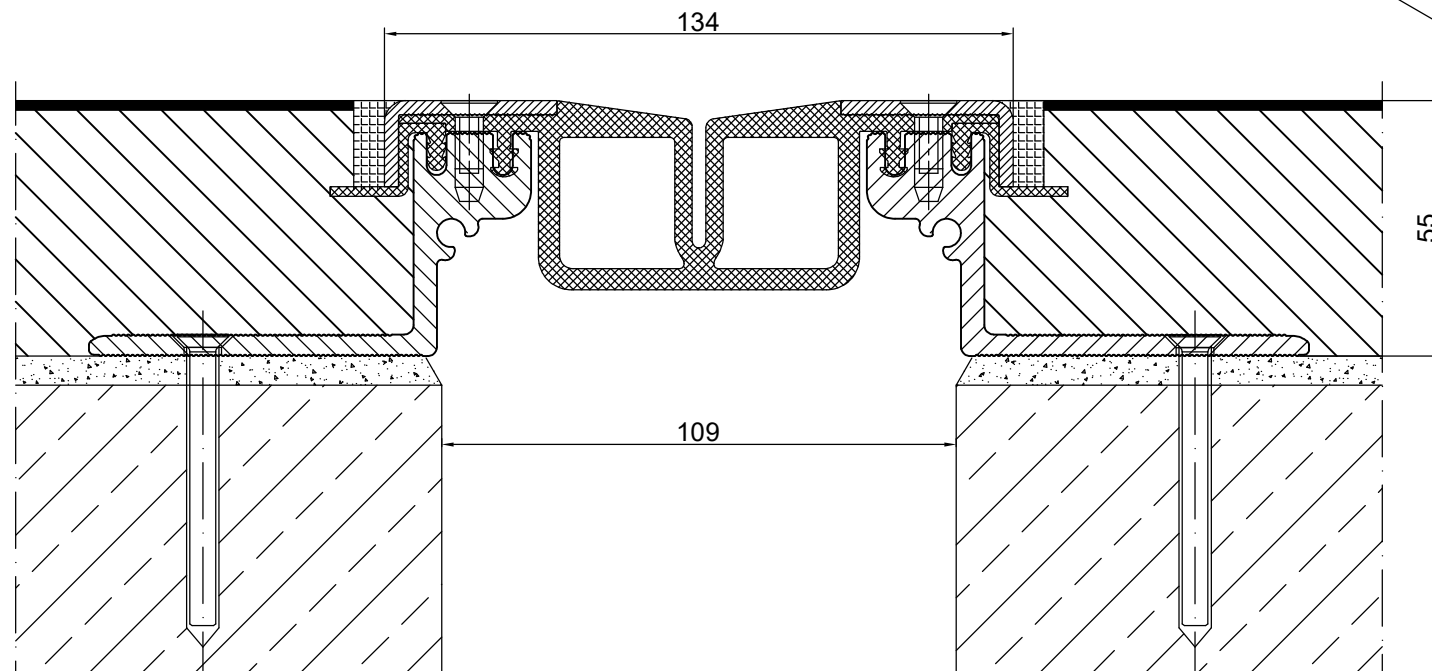



INFORMATION TABLE

Profile type	Visible element [mm]	Joint width [mm]	Base width [mm]	Installation height [mm]	Material type	Maximum load [kN]	Horizontal/Vertical compensation [mm]
GA 88.45.55 S	134	109	260	55	Aluminum, PVC, steel	200	90(±45)

CONECTO GA 88.45.55 S SECTION



Expansion joint Conecto Park GA 88.45.55 S				Conecto Profiles Sp. z o.o. ul. Przemysłowa 39 61-541 Poznań www.conecto-profiles.com						
				PROJEKT	PROJECT	ZŁOŻENIE	SUB ASSEMBLY			RYСУNEK
ROZMIAR / SIZE	SKALA / SCALE	Wszystkie wymiary podano w [mm] All dimensions in [mm]					01	1	Z DF	1
A3	1:1									