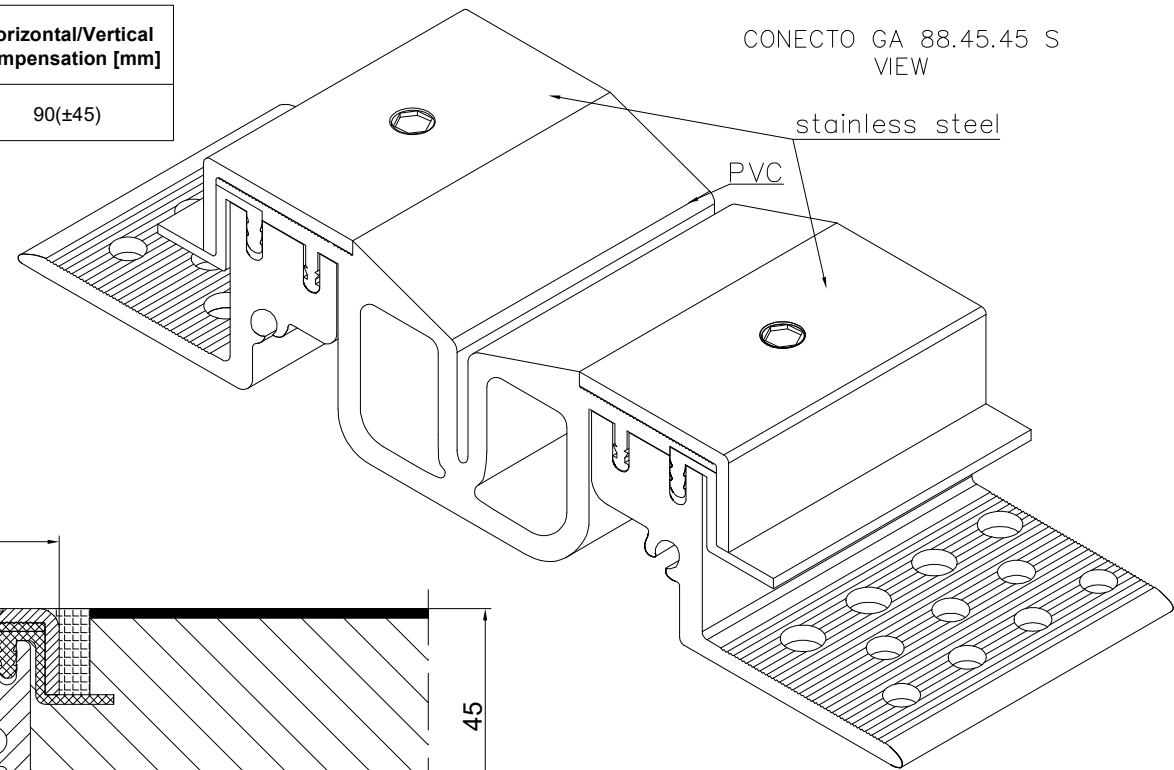
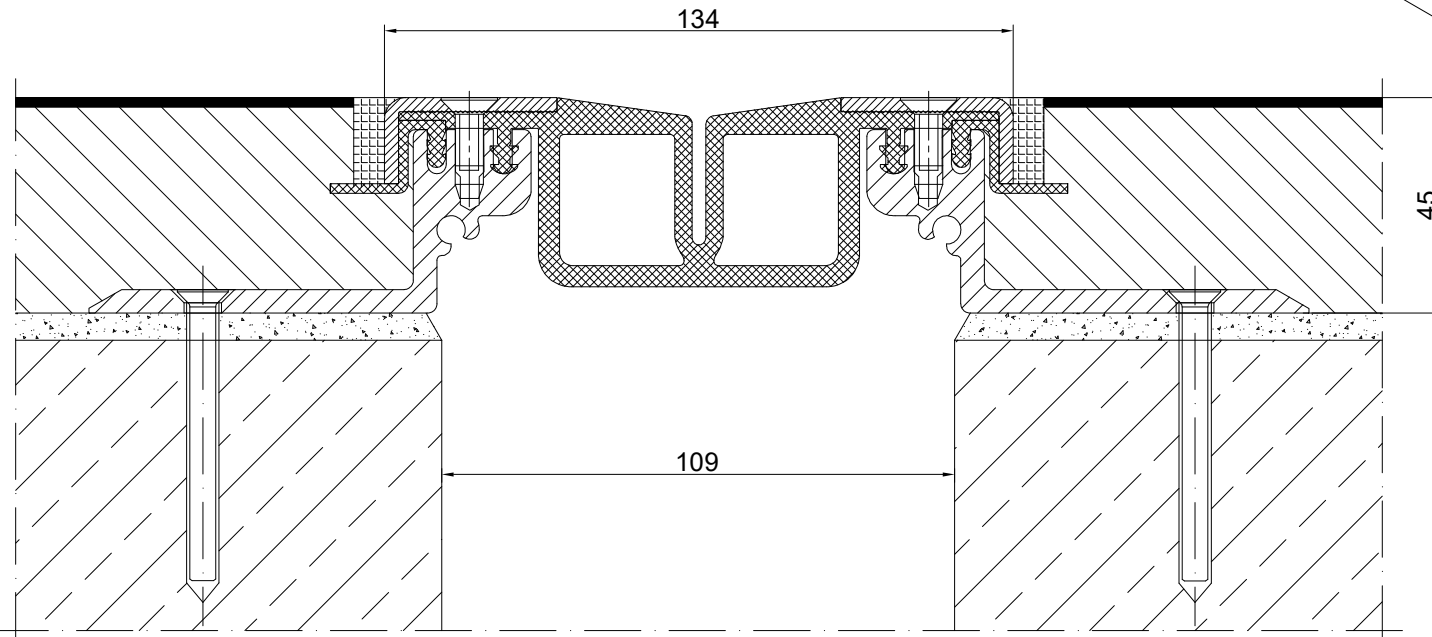


INFORMATION TABLE

Profile type	Visible element [mm]	Joint width [mm]	Base width [mm]	Installation height [mm]	Material type	Maximum load [kN]	Horizontal/Vertical compensation [mm]
GA 88.45.45 S	134	109	260	45	Aluminum, PVC, steel	200	90(±45)



CONECTO GA 88.45.45 S
SECTION



Expansion joint Conecto Park
GA 88.45.45 S

Conecto Profiles Sp. z o.o.
ul. Przemysłowa 39
61-541 Poznań
www.conecto-profiles.com



ROZMIAR / SIZE A3 SKALA / SCALE 1:1 Wszystkie wymiary podano w [mm]
All dimensions in [mm]

PROJEKT	PROJECT	ZŁOŻENIE	SUB ASSEMBLY	RYСУNEK	DRAWING	ARKUSZ SHEET	VER REV
--	--	--	--	01	01	1 Z OF 1	