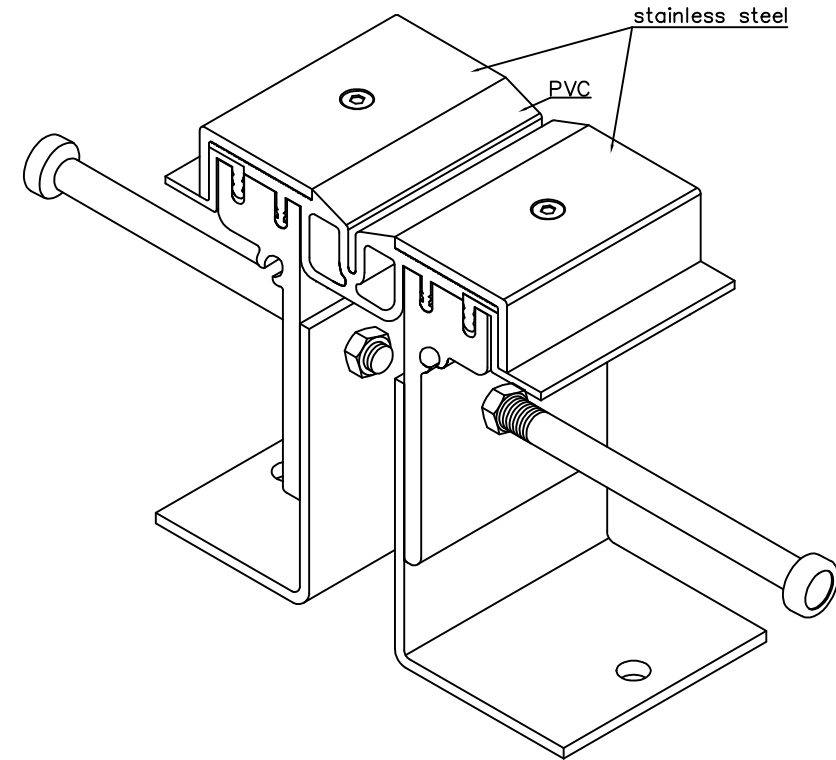
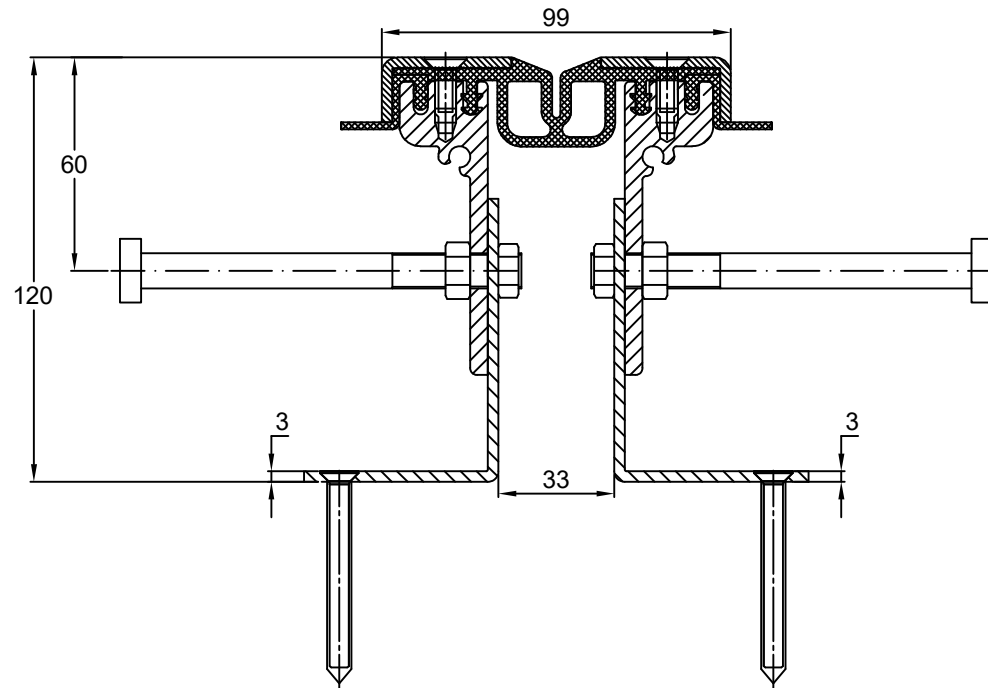


# INFORMATION TABLE

Profile type	Visible element [mm]	Joint width [mm]	Base width [mm]	Installation height [mm]	Material type	Maximum load [kN]	Horizontal/Vertical compensation [mm]
GA 50.20.120 S + galv. studs	99	33	247	120	Aluminum, PVC, steel	600	40(±20)

CONECTO GA 50.20.120 S  
with galvanized studs  
VIEW

CONECTO GA 50.20.120 S  
with galvanized studs  
SECTION



Expansion joint Conecto Park  
GA 50.20.120 S  
on steel subconstruction 3mm thickness  
with galvanized studs

Conecto Profiles Sp. z o.o.  
ul. Przemysłowa 39  
61-541 Poznań  
www.conecto-profiles.com



ROZMIAR / SIZE	SKALA / SCALE	Wszystkie wymiary podano w [ mm ] All dimensions in [ mm ]		PROJEKT	PROJEKT	ZŁOŻENIE	SUB ASSEMBLY	RYSUNEK	DRAWING	ARKUSZ	SHEET	VER	REV
A3	1:1			--		--		01		1	Z OF	1	