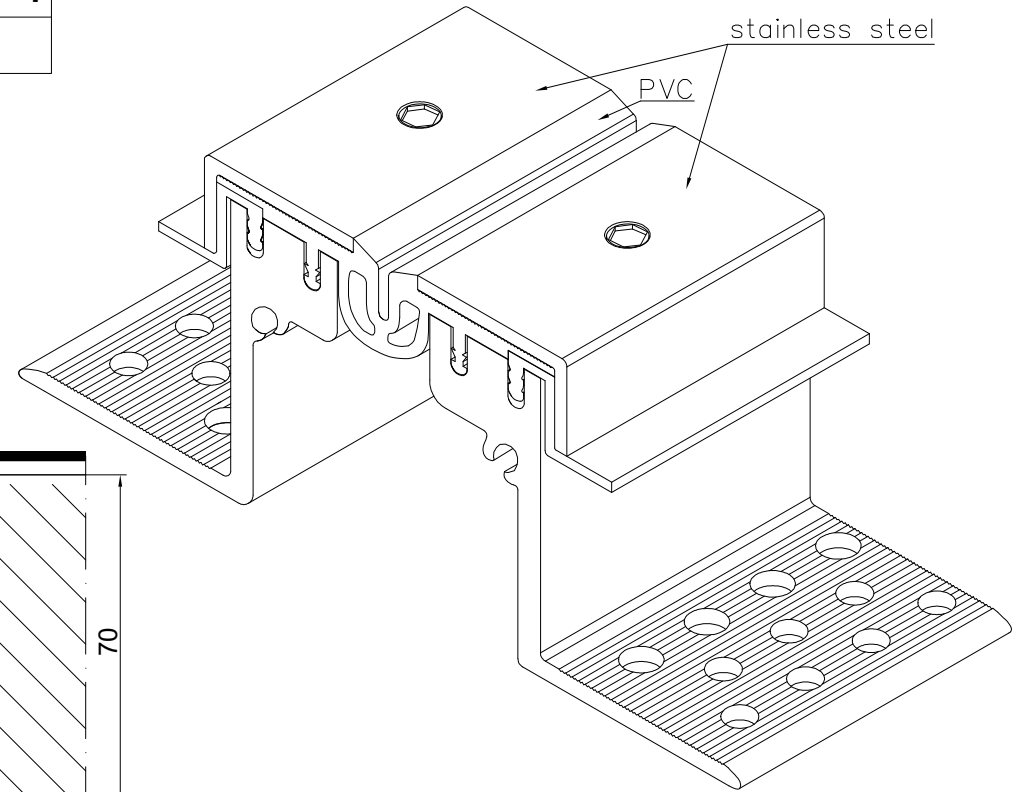


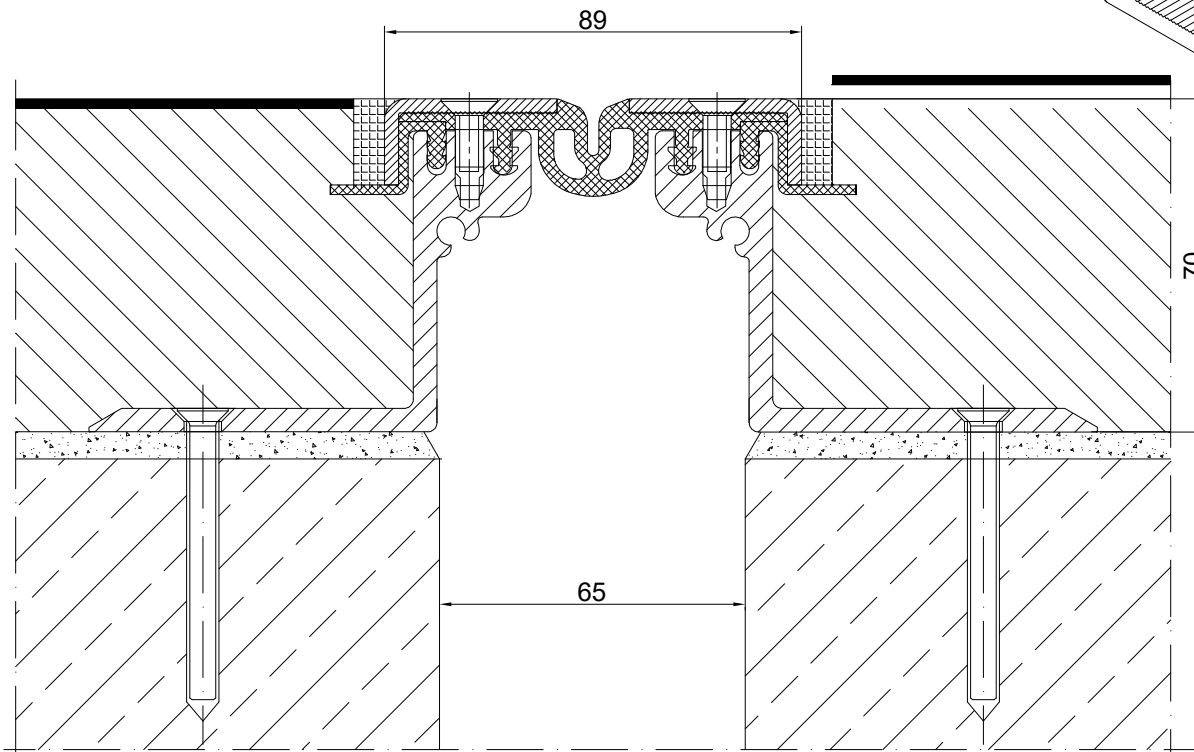
INFORMATION TABLE

Profile type	Visible element [mm]	Joint width [mm]	Base width [mm]	Installation height [mm]	Material type	Maximum load [kN]	Horizontal/Vertical compensation [mm]
GA 43.10.70 S	89	max 65	214	70	Aluminum, PVC, steel	120	20(±10)

CONECTO GA 43.10.70 S  
VIEW



CONECTO GA 43.10.70 S  
SECTION



Expansion joint  
Conecto Park GA 43.10.70 S

Conecto Profiles Sp. z o.o.  
ul. Przemysłowa 39  
61-541 Poznań  
www.conecto-profiles.com



ROZMIAR / SIZE  
A3

SKALA / SCALE  
1:1

Wszystkie wymiary podano w [ mm ]  
All dimensions in [ mm ]

PROJEKT	PROJECT	ZŁOŻENIE	SUB ASSEMBLY	RYSunEK	DRAWING	ARKUSZ SHEET	WER REV
--		--			01	1 Z OF 1	