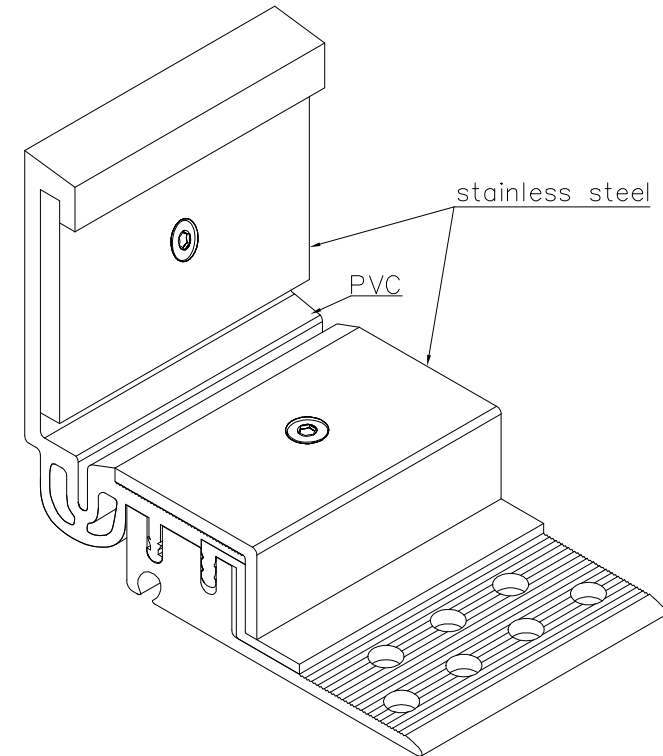
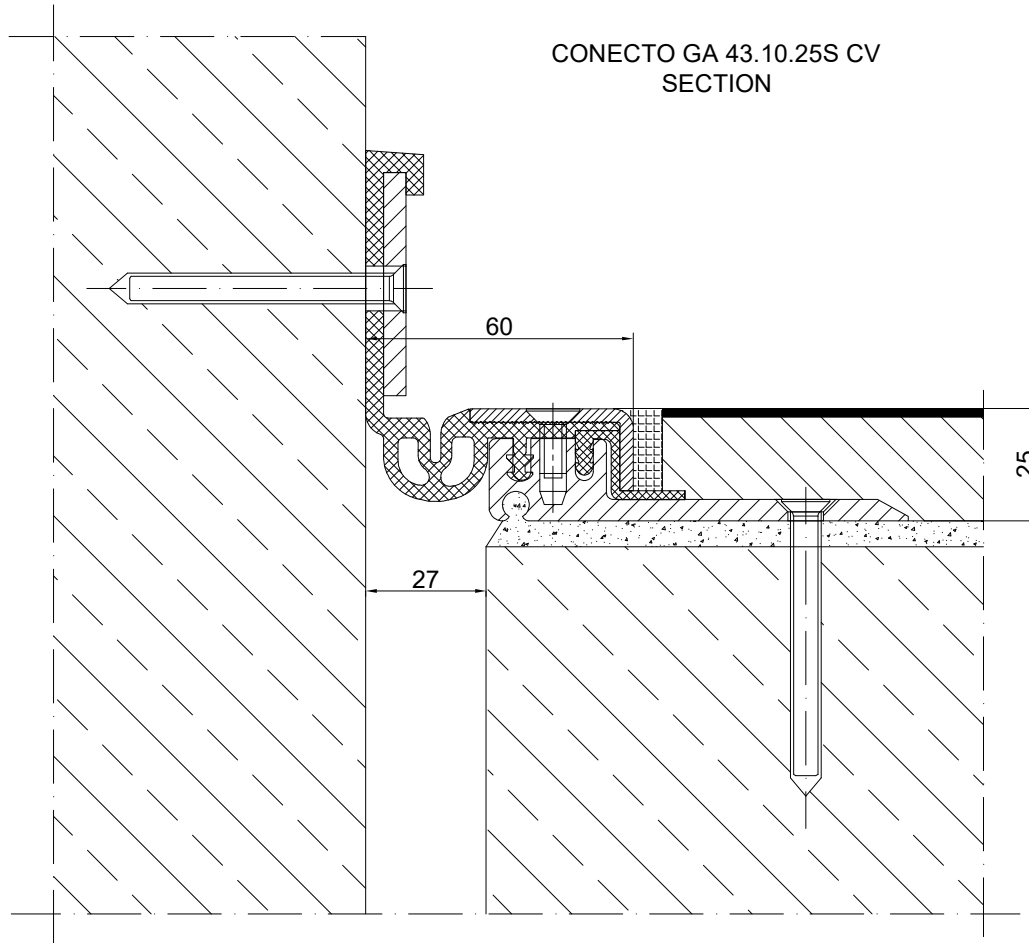


INFORMATION TABLE

Profile type	Visible element [mm]	Joint width [mm]	Base width [mm]	Installation height [mm]	Material type	Maximum load [kN]	Horizontal/Vertical compensation [mm]
GA 43.10.25 S CV	60	max 27	122	25	Aluminum, PVC, steel	300	20(±10)

CONECTO GA 43.10.25S CV  
PERSPECTIVE VIEW



Expansion joint Conecto Park  
GA 43.10.25S CV

Conecto Profiles Sp. z o.o.  
ul. Przemysłowa 39  
61-541 Poznań  
www.conecto-profiles.com



ROZMIAR / SIZE  
A3

SKALA / SCALE  
1:1

Wszystkie wymiary podano w [ mm ]  
All dimensions in [ mm ]

PROJEKT	PROJECT	ZŁOŻENIE	SUB ASSEMBLY	RYСУNEK	DRAWING
--	--	--	--	01	01

ARKUSZ	SHEET	WER	REV
1	Z	1	DF