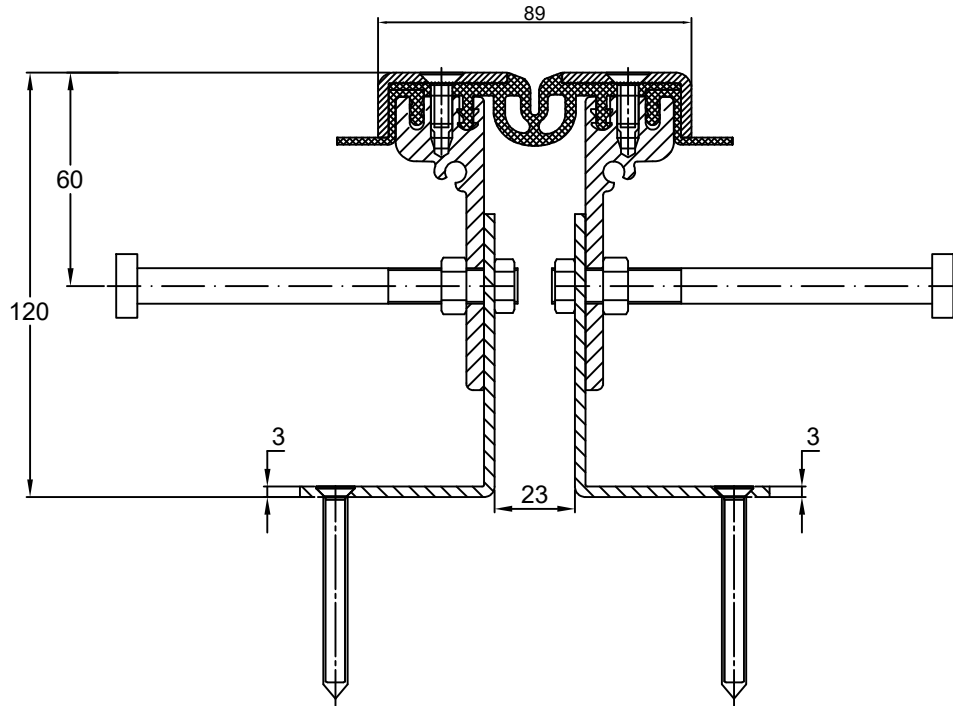


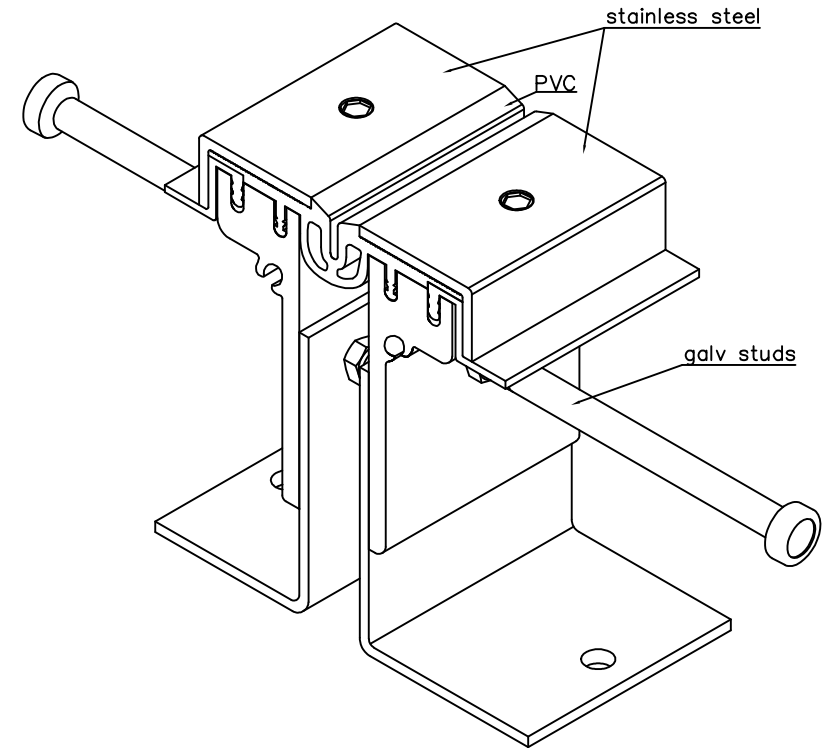
INFORMATION TABLE

Profile type	Visible element [mm]	Joint width [mm]	Base width [mm]	Installation height [mm]	Material type	Maximum load [kN]	Horizontal/Vertical compensation [mm]
GA 43.10.120 S + galv. studs	89	23	237	120	Aluminum, PVC, steel	600	20(±10)

CONECTO GA 43.10.120 S
with galvanized studs
SECTION



CONECTO GA 43.10.120 S
with galvanized studs
VIEW



Expansion joint Conecto Park
GA 43.10.120 S
on steel subconstruction 3mm thickness
with galvanized studs

Conecto Profiles Sp. z o.o.
ul. Przemysłowa 39
61-541 Poznań
www.conecto-profiles.com



ROZMIAR / SIZE	SKALA / SCALE	Wszystkie wymiary podano w [mm] All dimensions in [mm]	PROJEKT PROJECT	ZŁOŻENIE SUB ASSEMBLY	RYSUNEK DRAWING	ARKUSZ SHEET	VER REV
A3	1:1		--	--	01	1 Z OF 1	