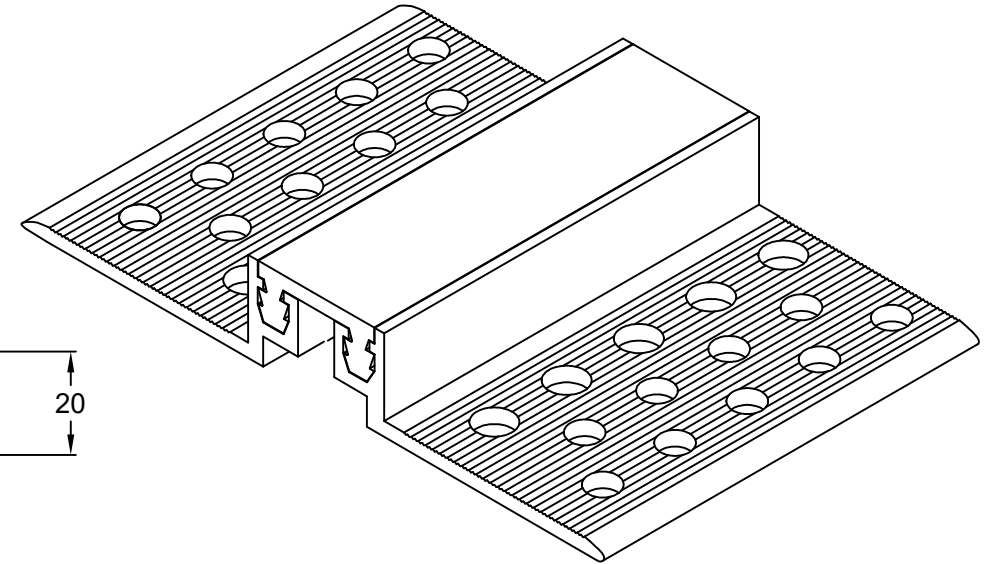


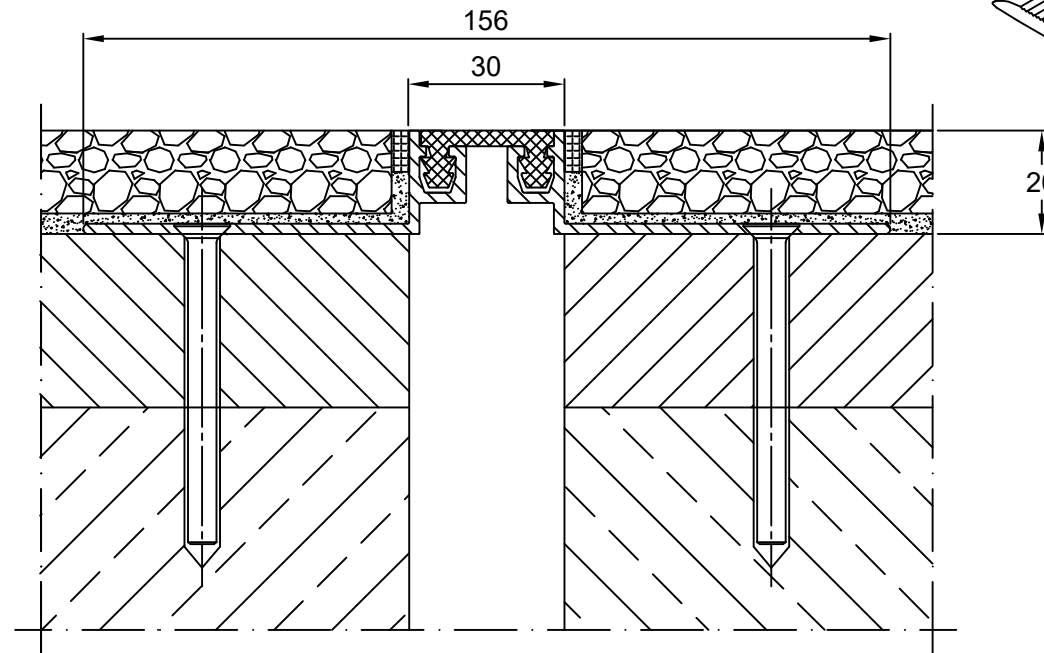
INFORMATION TABLE

Profile type	Visible element [mm]	Joint width [mm]	Base width [mm]	Installation height [mm]	Material type	Maximum load [kN]	Horizontal/Vertical compensation [mm]
EL 30.6.20	30	30	156	20	Aluminum, modified PVC	30	8(±4) 8(±4)

CONECTO EL 30.6.20  
VIEW



CONECTO EL 30.6.20  
SECTION



Expansion joint Conecto  
Elasto 30.6.20  
Flat rubber

Conecto Profiles Sp. z o.o.  
ul. Przemysłowa 39  
61-541 Poznań  
www.conecto-profiles.com



ROZMIAR / SIZE A3	SKALA / SCALE 1:1	Wszystkie wymiary podano w [ mm ] All dimensions in [ mm ]
----------------------	----------------------	---------------------------------------------------------------

PROJEKT	PROJECT	ZŁOŻENIE	SUB ASSEMBLY	RYSUNEK	DRAWING	ARKUSZ SHEET	VER REV
--		--		01		1 Z OF 1	