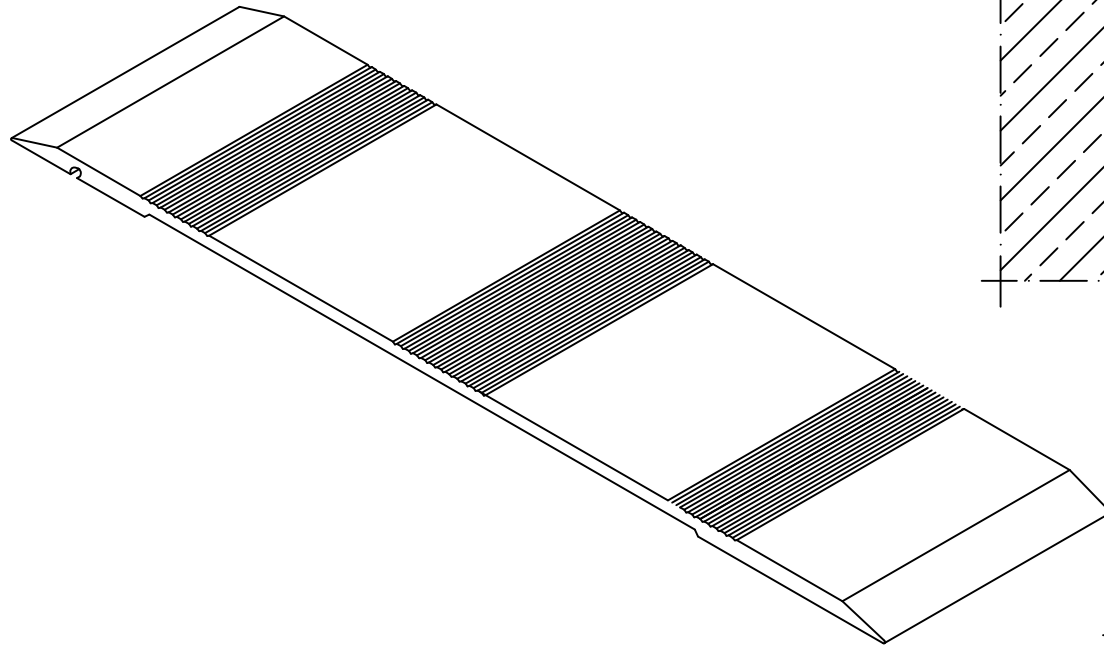
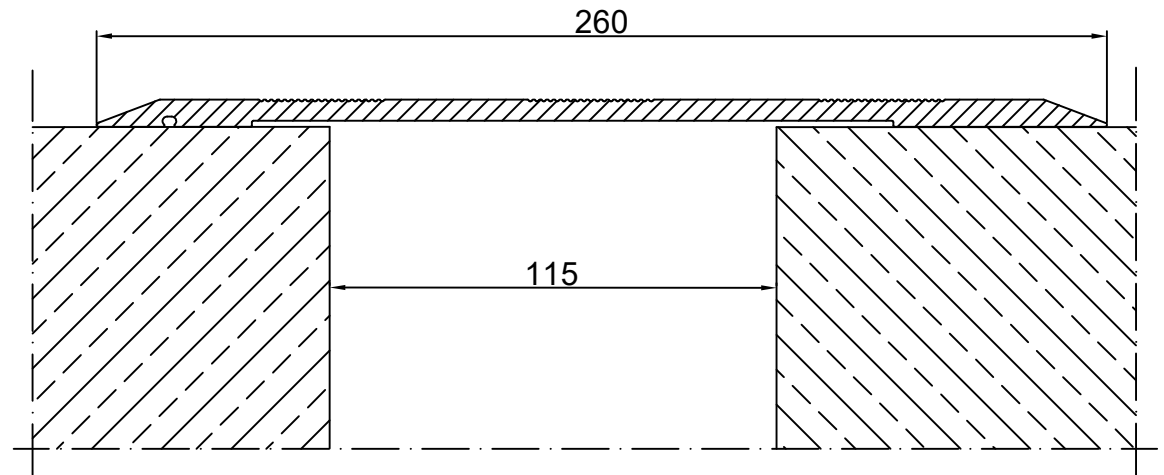


INFORMATION TABLE

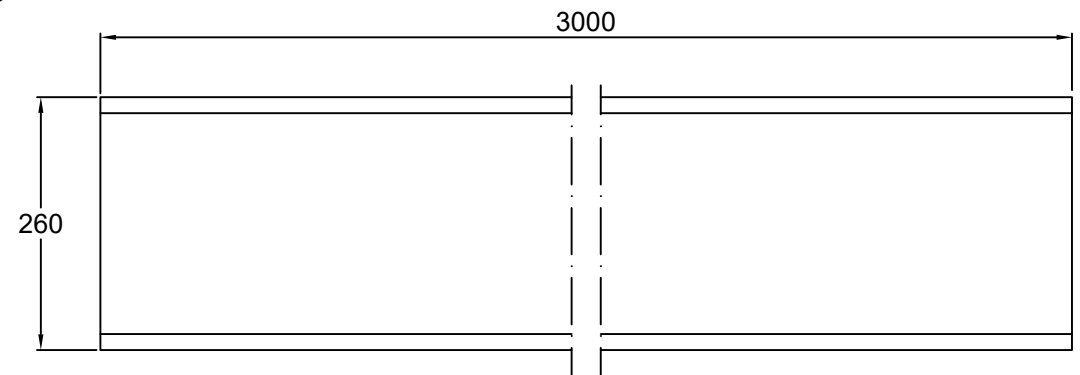
Profile type	Visible element [mm]	Joint width [mm]	Installation height [mm]	Material type	Max load [kN]	Horizontal compensation [mm]
CS 260	260	30	7	Aluminum	45	±20



CONECTO CS 260 SECTION



CONECTO CS 260 VIEW SCALE 1:4



Expansion joint Conecto CS
260
without holes

Conecto Profiles Sp. z o.o.
ul. Przemysłowa 39
61-541 Poznań
www.conecto-profiles.com



ROZMIAR / SIZE A3	SKALA / SCALE 1:1	Wszystkie wymiary podano w [mm] All dimensions in [mm]
----------------------	----------------------	---

PROJEKT	PROJECT	ZŁOŻENIE	SUB ASSEMBLY	RYSUNEK	DRAWING	ARKUSZ SHEET	VER REV
--		--		01		1 Z OF 1	