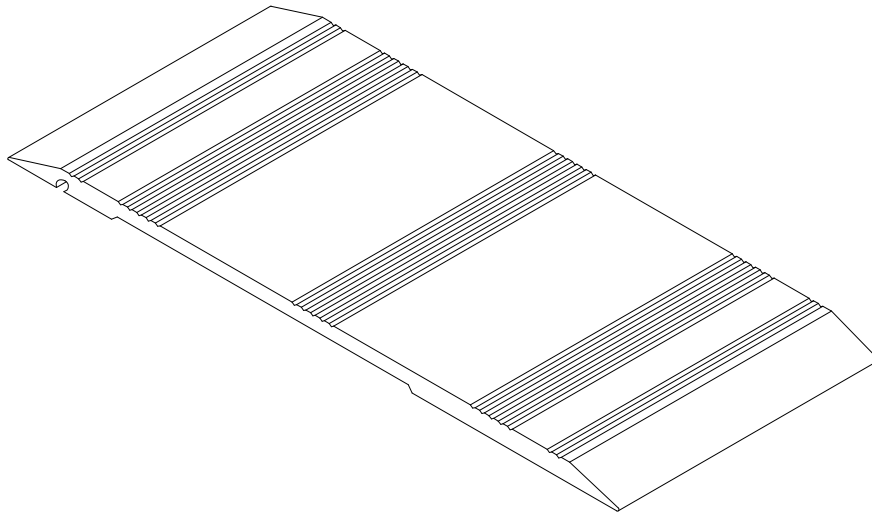
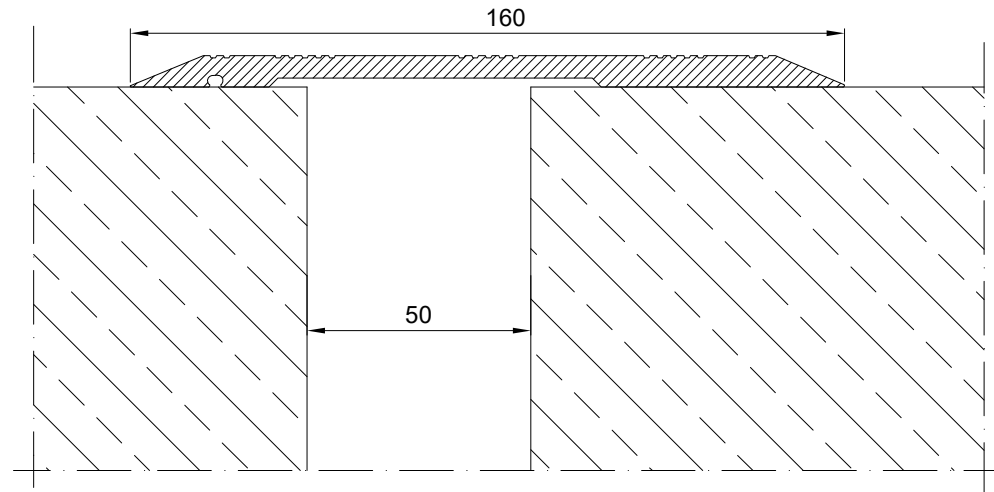


INFORMATION TABLE

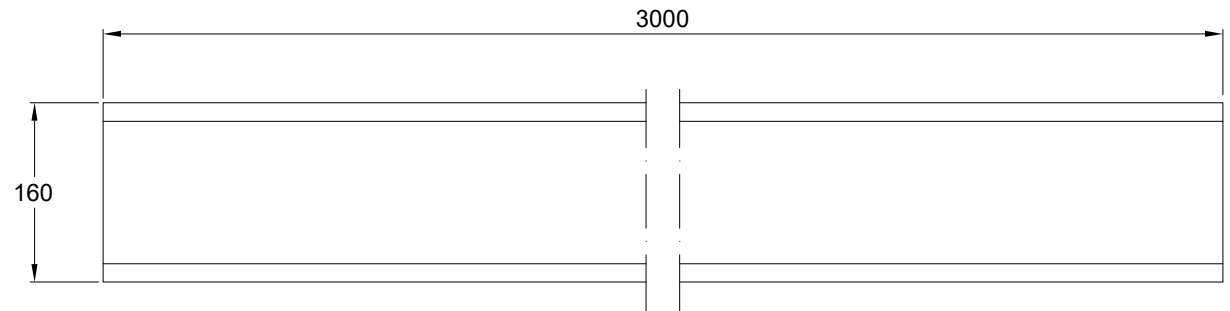
Profile type	Visible element [mm]	Joint width [mm]	Installation height [mm]	Material type	Max load [kN]	Horizontal compensation [mm]
CS 160	160	max 50	7	Aluminum	60	±10



CONECTO CS 160
SECTION



CONECTO CS 160
VIEW
SCALE 1:4



Expansion joint Conecto CS 160

Conecto Profiles Sp. z o.o.
ul. Przemysłowa 39
61-541 Poznań
www.conecto-profiles.com



ROZMIAR / SIZE
A3

SKALA / SCALE
1:1

Wszystkie wymiary podano w [mm]
All dimensions in [mm]

PROJEKT	PROJCT	ZŁOŻENIE	SUB ASSEMBLY	RYСУNEK	DRAWING	ARKUSZ SHEET	WER REV
--		--		01		1 Z OF 1	