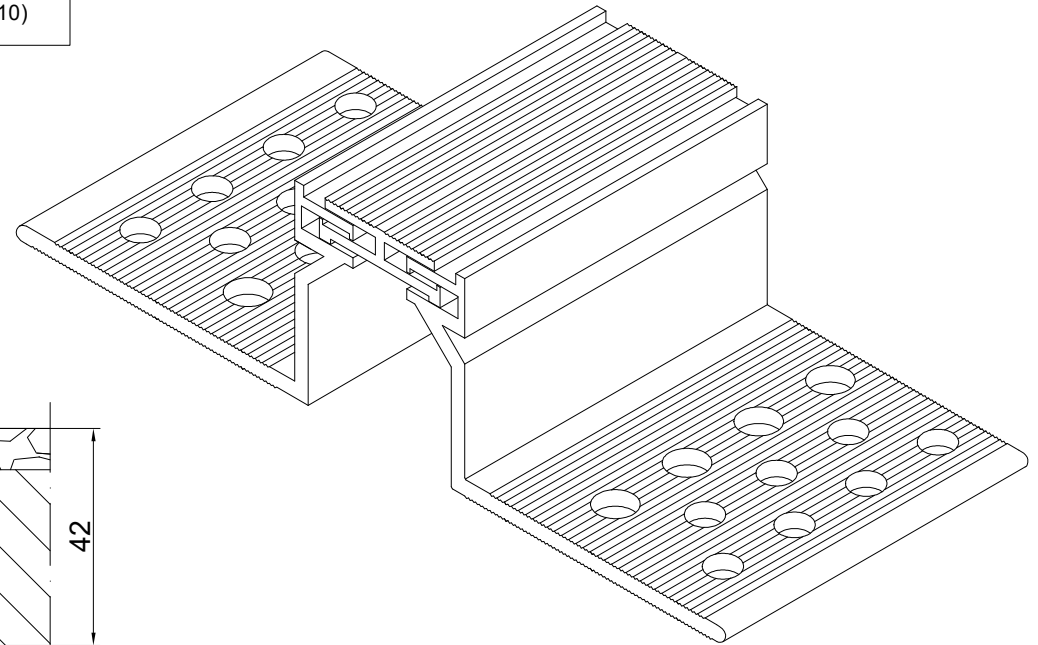


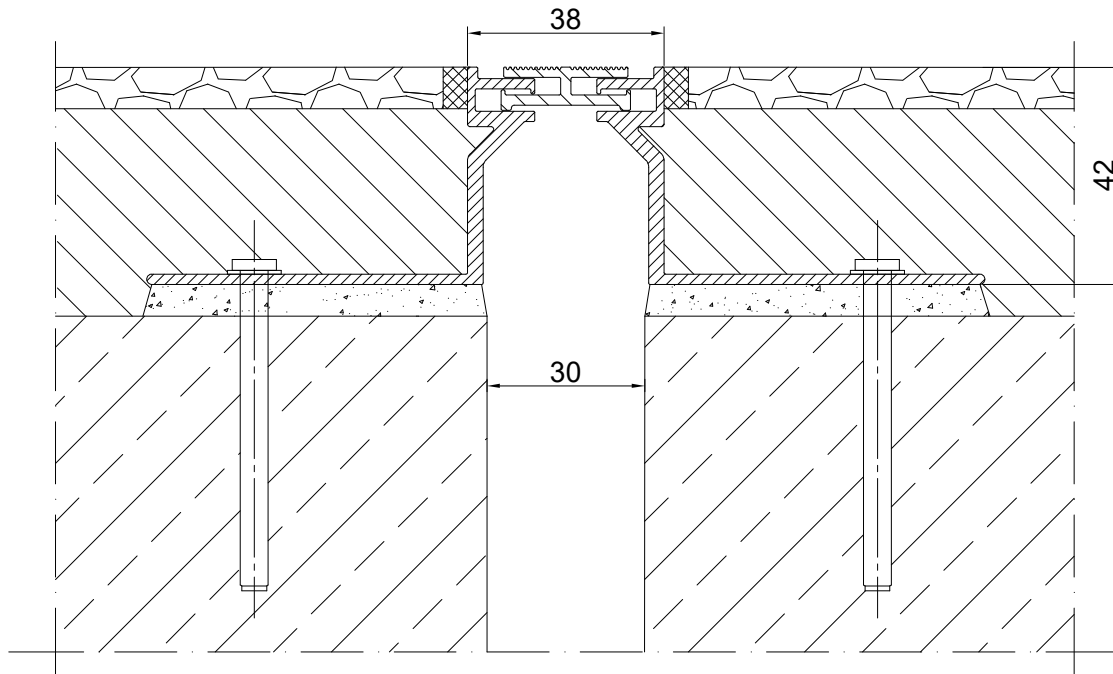
INFORMATION TABLE

Profile type	Visible element [mm]	Joint width [mm]	Base width [mm]	Installation height [mm]	Material type	Maximum load [KN]	Compensation [mm]
AL 38.10.42	38	max 30	162	42	Aluminum	30	20(±10)

CONECTO AL 38.10.42
View



CONECTO AL 38.10.42
SECTION



Expansion joint Conecto
AL 38.10.42

Conecto Profiles Sp. z o.o.
ul. Przemysłowa 39
61-541 Poznań
www.conecto-profiles.com



ROZMIAR / SIZE A3	SKALA / SCALE 1:1	Wszystkie wymiary podano w [mm] All dimensions in [mm]
----------------------	----------------------	---------------------------------------------------------------

PROJEKT	PROJECT	ZŁOŻENIE	SUB ASSEMBLY	RYSUNEK	DRAWING	ARKUSZ SHEET	WER REV
--		--		01		1 Z OF 1	