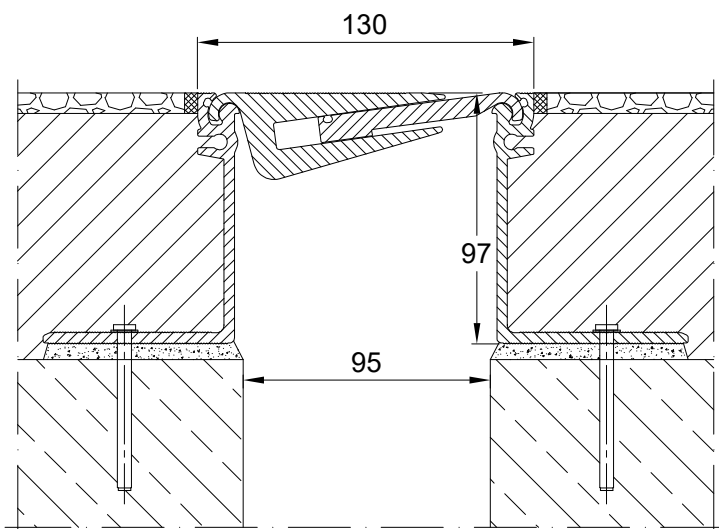


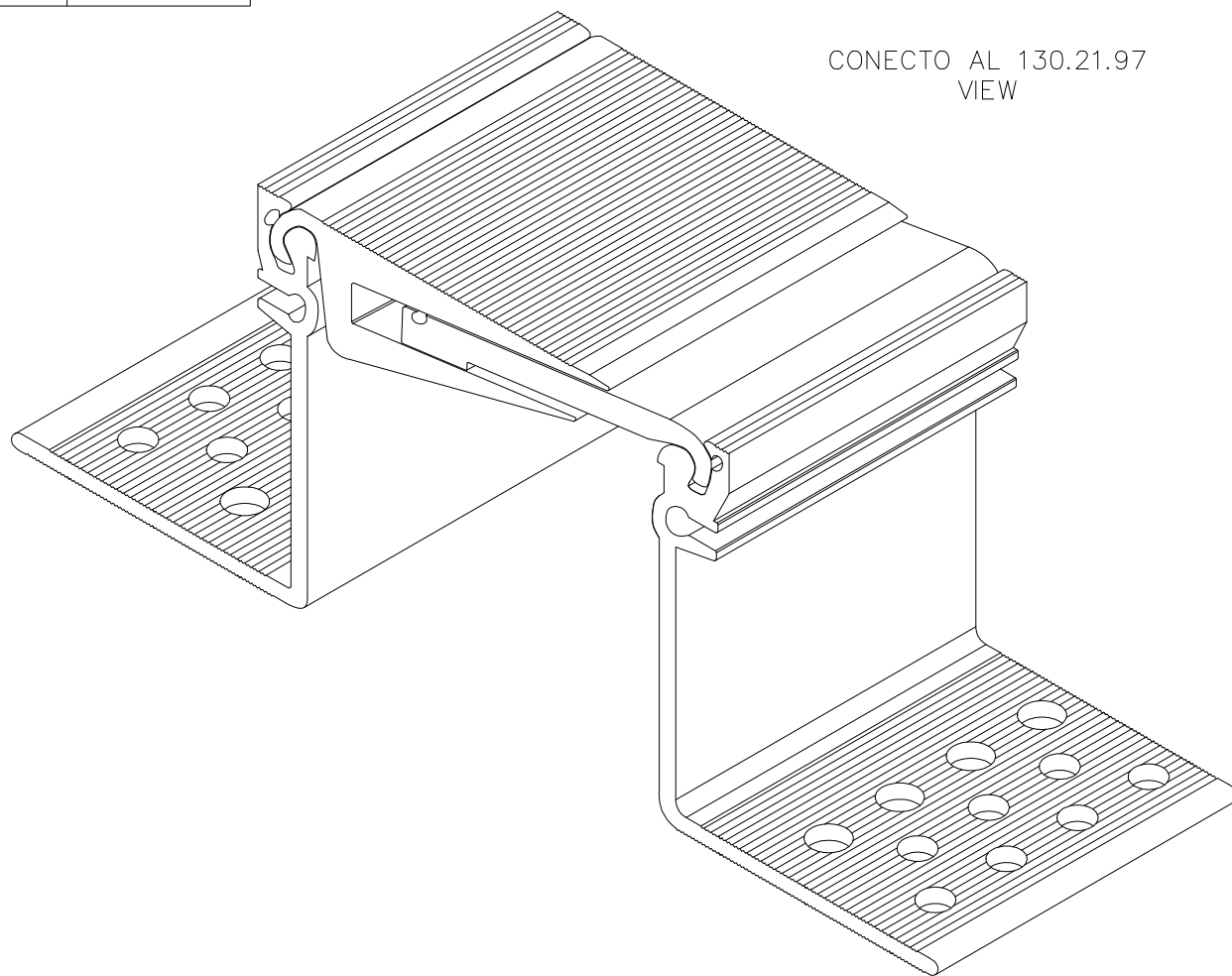
INFORMATION TABLE

| Profile type | Visible element [mm] | Joint width [mm] | Base width [mm] | Installation height [mm] | Material type | Maximum load [KN] | Horizontal/vertical compensation [mm] |
|--------------|----------------------|------------------|-----------------|--------------------------|---------------|-------------------|---------------------------------------|
| AL 130.21.97 | 130                  | 95               | 255             | 97                       | Aluminum      | 70                | 42(±21)<br>-31 / +24                  |

CONECTO AL 130.21.97  
SECTION  
SCALE 1:2



CONECTO AL 130.21.97  
VIEW



Expansion joint Conecto  
AL 130.21.97

Conecto Profiles Sp. z o.o.  
ul. Przemysłowa 39  
61-541 Poznań  
www.conecto-profiles.com



|                      |                      |   |
|----------------------|----------------------|---|
| ROZMIAR / SIZE<br>A3 | SKALA / SCALE<br>1:1 | Wszystkie wymiary podano w [ mm ]<br>All dimensions in [ mm ] |
|----------------------|----------------------|---|

| PROJEKT | PROJECT | ZŁOŻENIE | SUB ASSEMBLY | RYSUNEK | DRAWING | ARKUSZ | SHEET   | WER | REV |
|---------|---------|----------|--------------|---------|---------|--------|---------|-----|-----|
| --      | --      | --       | --           | 01      | 01      | 1      | Z<br>OF | 1   |     |