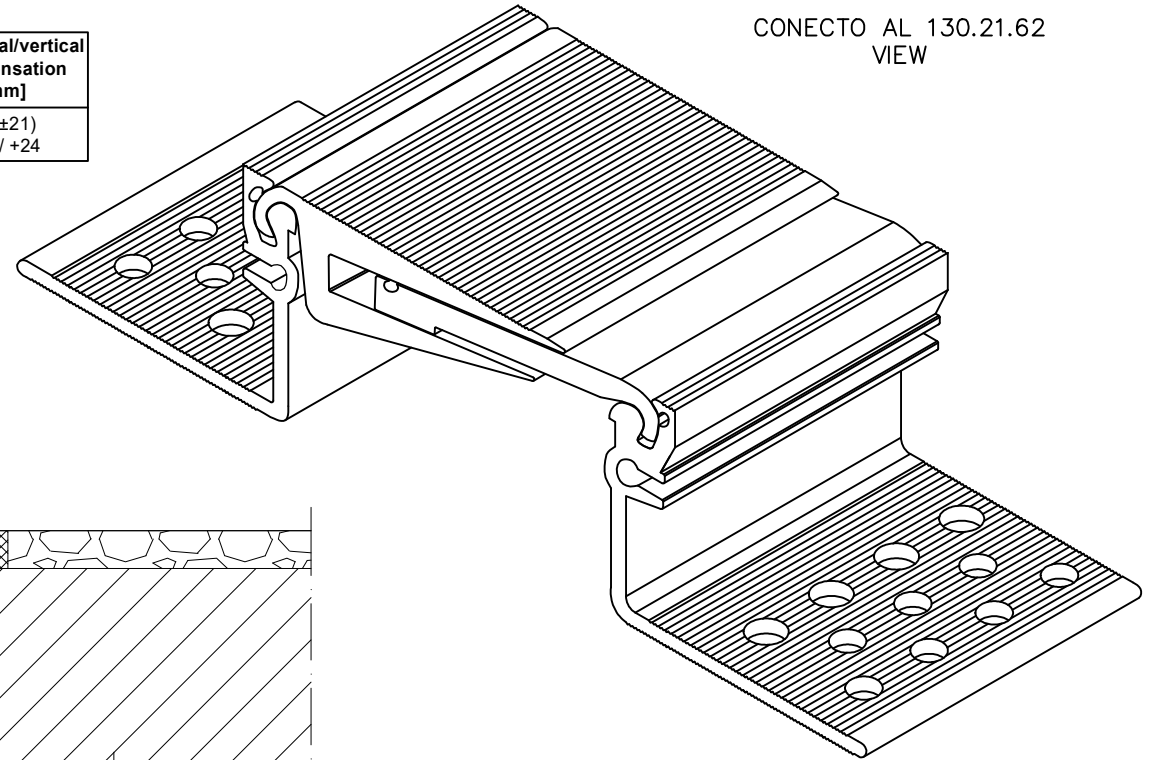


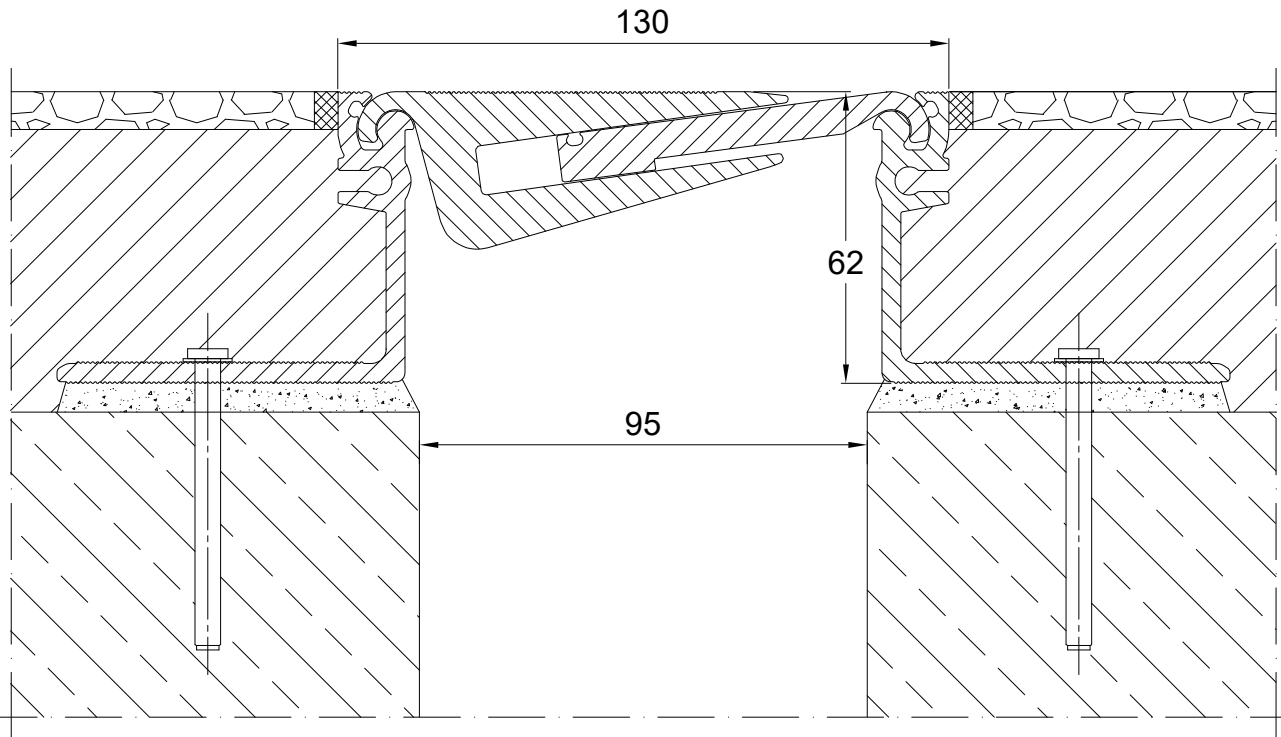
INFORMATION TABLE

Profile type	Visible element [mm]	Joint width [mm]	Base width [mm]	Installation height [mm]	Material type	Maximum load [KN]	Horizontal/vertical compensation [mm]
AL 130.21.62	130	95	250	62	Aluminum	70	42(±21) -31 / +24

CONECTO AL 130.21.62  
VIEW



CONECTO AL 130.21.62  
SECTION



Expansion joint Conecto  
AL 130.21.62

Conecto Profiles Sp. z o.o.  
ul. Przemysłowa 39  
61-541 Poznań  
www.conecto-profiles.com



ROZMIAR / SIZE A3	SKALA / SCALE 1:1	Wszystkie wymiary podano w [ mm ] All dimensions in [ mm ]
----------------------	----------------------	---

PROJEKT	PROJECT	ZŁOŻENIE	SUB ASSEMBLY	RYSLINEK	DRAWING	ARKUSZ	SHEET	WER	REV
--		--			01	1	Z DF	1	